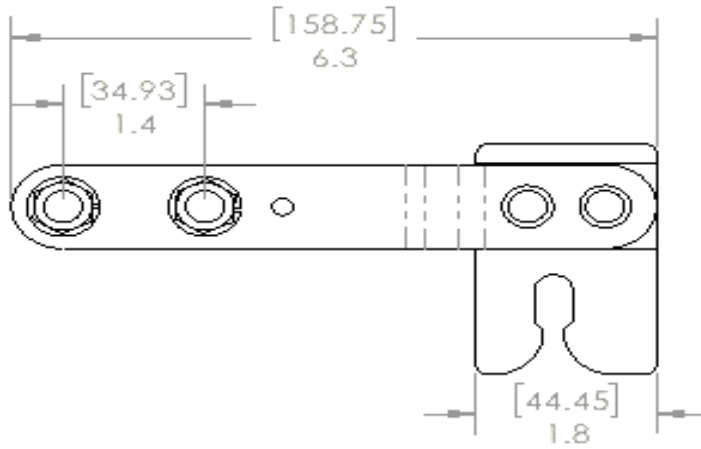


**TECHNICAL DATA SHEET: 002100**  
**CABLE GUIDE, LADDER MOUNT, HDG**  
**PN: 115-203**



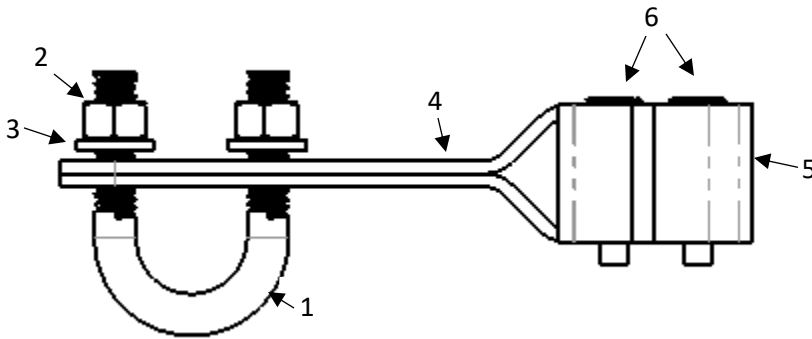
**Application:**

For use on solid rung ladders up to 1.125" diameter

Recommend use with Tuf-Tug Ladder Safe Climb System

Operating Temp. Range: 140°F (60°C) to -40°F (-40°C)

APPLICABLE STANDARDS:  
 OSHA / ANSI Z359.16 / TIA 222



	QTY	Component	Material	Finish
1	1	.375 x 1.000 x 2.000 U Bolt	Carbon Steel	Hot Dip Galvanize
2	2	3/8"-16 Hex Nut	Carbon Steel	Hot Dip Galvanize
3	2	3/8" Split lock washer	Carbon Steel	Hot Dip Galvanize
4	1	Cable Guide Side Brackets	Carbon Steel	Hot Dip Galvanize
5	1	Cable Guide Adaptor	Santoprene	Black
6	2	Tubular Rivet	304 Stainless Steel	Natural